

ALCN-792MISO

### Features

- Isolated
- Dedicated Central Processor Unit (CPU) per module
- Expands system capacity to 636 addressable devices on 2 loops, 159/159 per loop
- With the addition of the ALCN-792D this expands module an additional 2 loops bringing module capacity to 1272 addressable devices.

### Description

The ALCN-792MISO Isolated Quad Loop Adder Module provides two addressable loops plus an additional two loops as part of the daughter board ALCN-792D which is mounted over the ALCN-792MISO. The quad loop adder module provides Signaling Line Circuits (SLC) to the Flex-Net Addressable Fire Alarm system consisting of 159 Sensors and 159 Addressable Modules per loop.

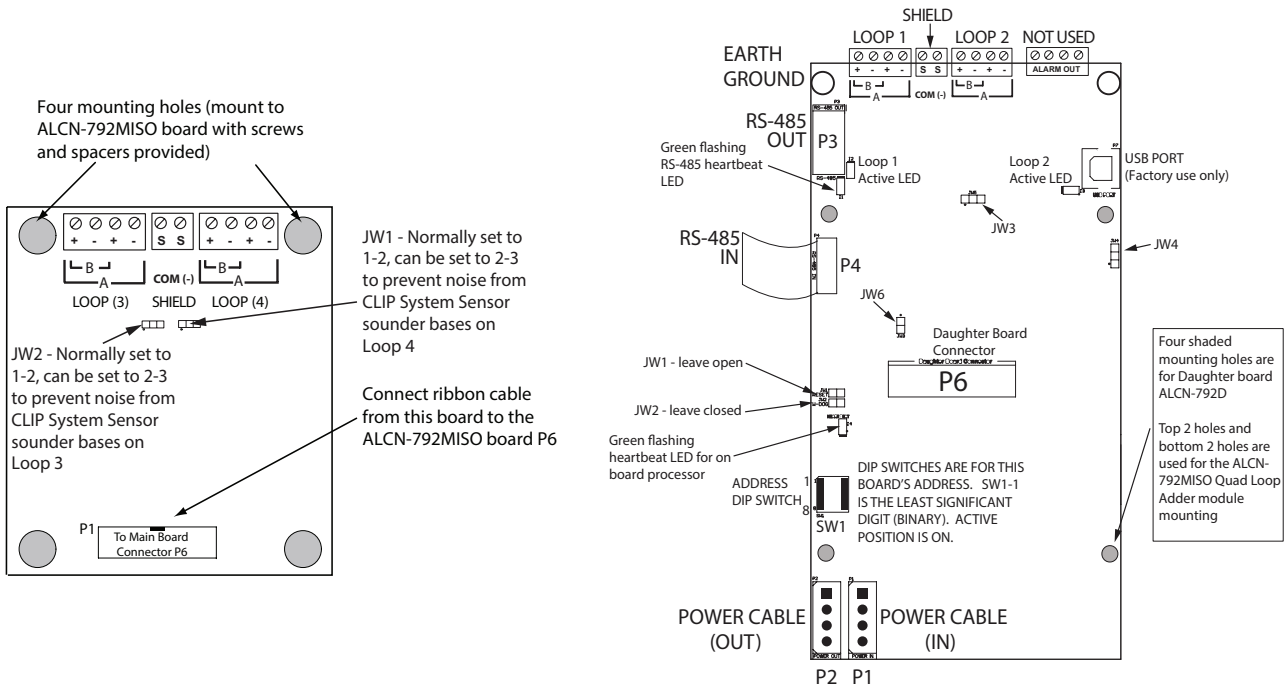
Each ALCN-792MISO Loop Controller Module has a dedicated Central Processor Unit (CPU) and will support two fully loaded SLC lines which will provide up to 318 addressable devices per SLC line, for a total of up to 636 addressable devices per ALCN-792MISO Quad Loop Controller module.

The ALCN-792MISO occupies one module space on any Flex-Net FX-2000N Series control panel chassis

The ALCN-792D daughter board provides two additional SLC lines for up to 318 addressable devices per SLC line, for a total of up to 1,272 addressable devices per combination ALCN-792MISO with ALCN-792D.



# Wiring Diagram



## ALCN-792MISO with ALCN-792D Electrical Specifications

Power Limited: 24VDC, 400mA max, 10kHz frequency  
 Max loop resistance: 40 ohms

Current Consumption: Standby: 200mA  
 Alarm: 213 mA

### Notes for ALCN-792MISO :

All circuits are power limited and must use type FPL, FPLR, or FPLP power limited cable.  
 Loop wiring: maximum loop resistance is 40 ohms total. These lines are power limited and fully supervised.

Refer to wiring instructions in the Network Fire Alarm Manual

## Ordering Information

Model	Description
ALCN-792MISO	Isolated Quad Loop Adder Module
ALCN-792D	Daughter Board

NOT TO BE USED FOR INSTALLATION PURPOSES.



**Canada**  
 25 Interchange Way  
 Vaughan, Ontario L4K 5W3  
 Telephone: (905) 660-4655  
 Fax: (905) 660-4113

**U.S.A.**  
 4575 Witmer Industrial Estates  
 Niagara Falls, NY 14305  
 Toll Free: (888) 660-4655  
 Fax Toll Free: (888) 660-4113

Web page: <http://www.mircom.com> Email: [mail@mircom.com](mailto:mail@mircom.com)

Distributed by:

ISO 9001:2008  
 REGISTERED



CAT. 5948  
 Rev.0